



YLI ELECTRONIC



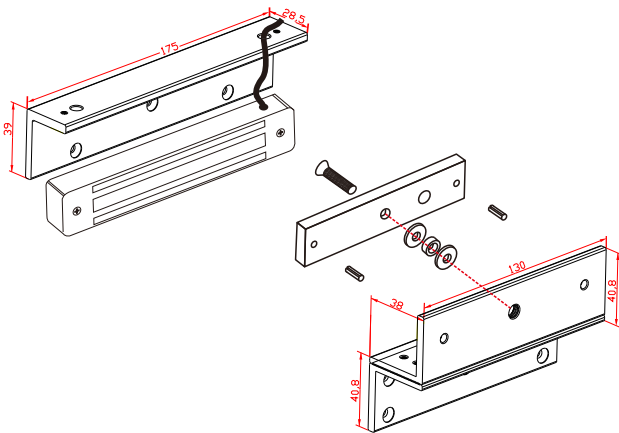
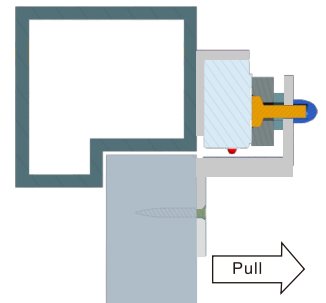
ZL-W Bracket for Waterproof Magnetic Lock

Specification

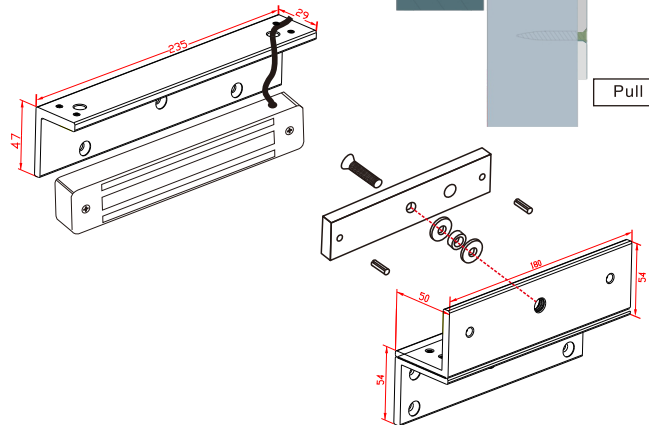
Model	Z Bracket Size(mm)	L Bracket Size(mm)	Suitable For	Used With	Weight
MBK-180ZL-W	L175xW38xH26	L175xW38xH26	In-swing door	YM-180W-S	0.38kg
MBK-280ZL-W	L235xW46xH25.5	L235xW46xH25.5	In-swing door	YM-280W-S	0.72kg
MBK-350ZL-W	L190xW57xH50	L228xW54xH31.5	In-swing door	YM-350W-S	1.0kg
MBK-500NZL-W	L185xW70xH61	L230xW73xH46	In-swing door	YM-500NW-S	1.1kg

Installation

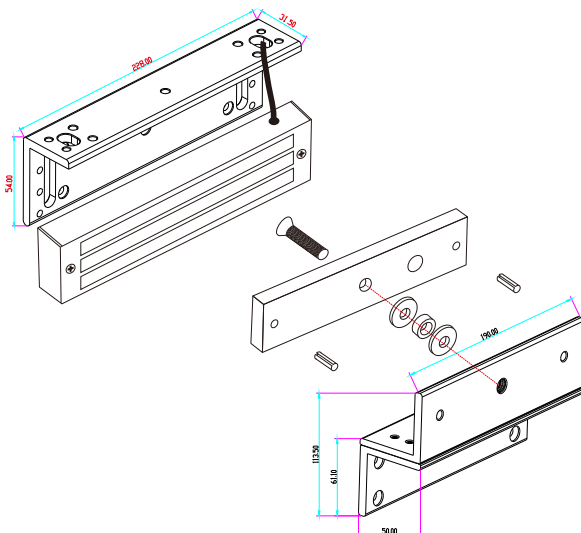
- For in-swing door, install the lock body inside and then need to install the ZL bracket at the same time.
- Discharge the mounting plate from lock body.
- Fix the L bracket on the door frame and then fix the lock body on the L bracket .
- Assemble the Z bracket and then fix it on the door frame
- Fix the armature plate on the Z bracket



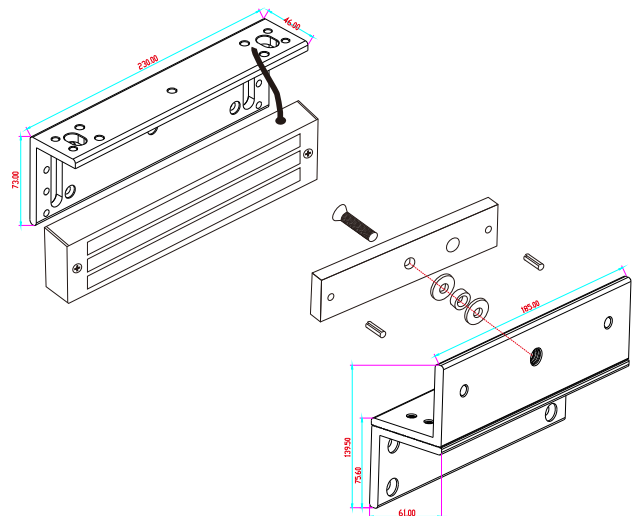
MBK-180ZL-W



MBK-280ZL-W



MBK-350ZL-W



MBK-500NZL-W