



YLI ELECTRONIC



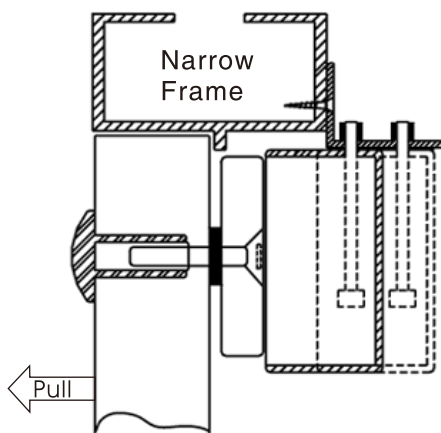
L Bracket for EM Lock with Waterproof

Specification

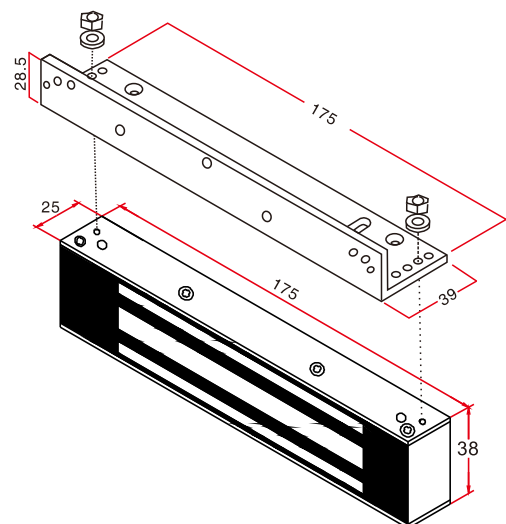
Model	Size(unit:mm)	Suitable For	Used With	Weight
MBK-180L-W	175Lx39Wx28.5H	Wooden door/Metal door Fireproof door	YM-180W-S	0.14kg
MBK-280L-W	235Lx47Wx28.5H	Wooden door/Metal door Fireproof door	YM-280W-S	0.20kg
MBK-350L-W	228Lx54Wx31.5H	Wooden door/Metal door Fireproof door	YM-350W, YM-350W-S	0.33kg
MBK-500L-W	220Lx72Wx45.2H	Wooden door/Metal door Fireproof door	YM-500W, YM-500W-S	0.5kg

Installation

- In case of the width of the door frame less than 42mm and there is not enough space ,L bracket is needed to be installed for the armature plate.
- Discharge the mounting plate from lock body.
- Fix the L bracket on the door frame.
- Use the Allen key to fix the lock body the on the L bracket.



Narrow door frame(swing out)



L Bracket(YM-180W-S) Installation