



YLI ELECTRONIC



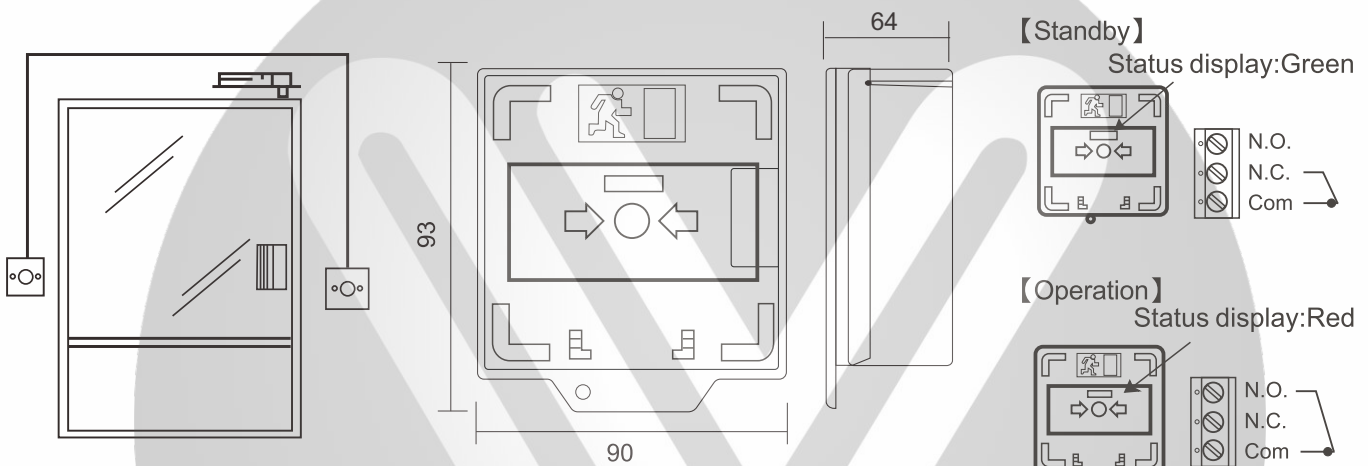
Three Pole Resetable Call Point with LED

Model: CPK-863G-3(LED)

Specification

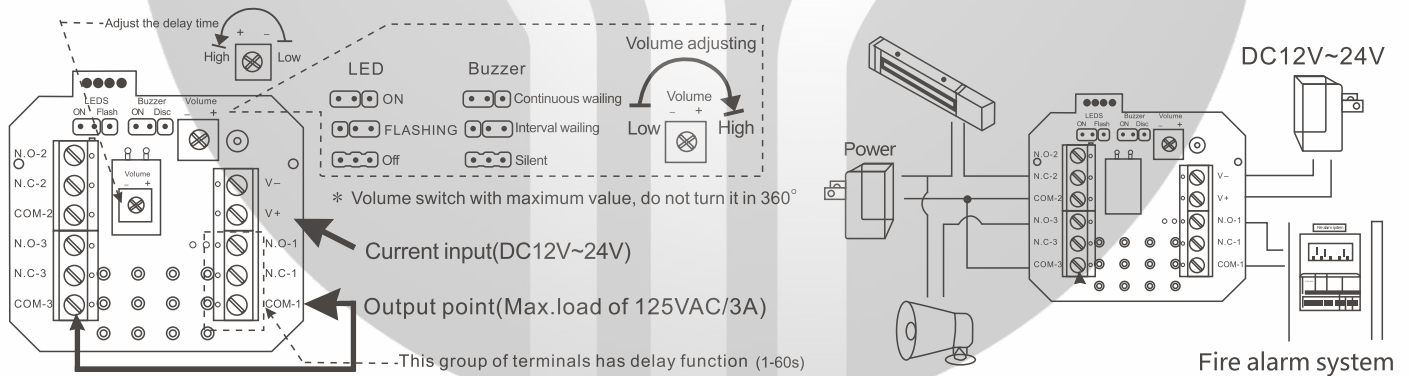
- Dimensions: 90Lx93Wx64H(mm)
- Power supply: DC 12V~DC 24V
- Operation current: DC12V/18mA(Standby)/75mA(Operation)
DC 24V/11mA(Standby)/41mA(Operation)
- Buzzer: Set as silent,interval wailing or continuous wailing
- Indicator: Dual-colour (red and green).
Red indicator to set blinking , off or on.
- Output: N.O.N.C.& COM.Output
(Maximum load of 125V/3A)
- Relay delay trigger time: 1~60s
- Material: ABS,PC(transparent part)
- Weight: 0.2kg

Dimension



Connections

Wiring Diagram



Attention before installation

⚠ Please press the pressing plate to make sure the indicator flag turns red before opening the front and middle covers in order to prevent the spring being popped out.

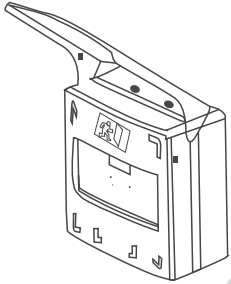
▲ Fixed holes embedded box **▲** Restricted terminal's aperture shown below.

Installation steps

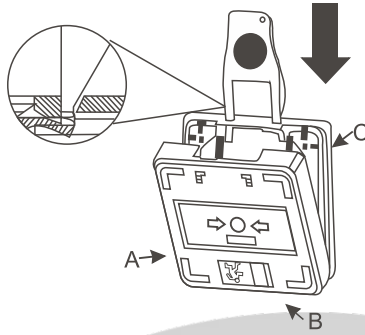
Surface Installation

Installation steps

Completed

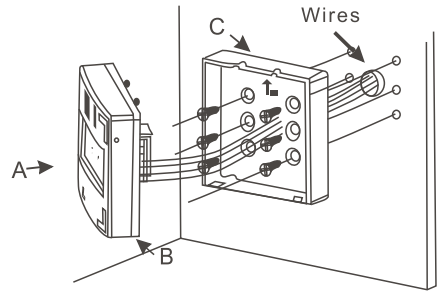


1.



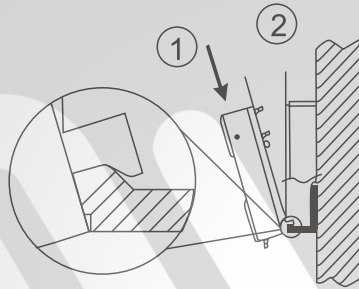
Use key to disassemble B and C fastenings.

2.



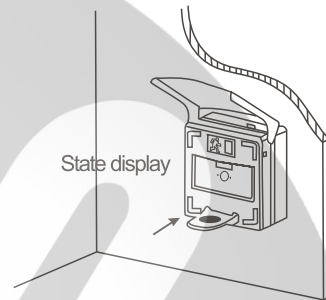
Fix bottom cover C and connect the wires

3.



Fastening the unit as the diagram shown above.

4.

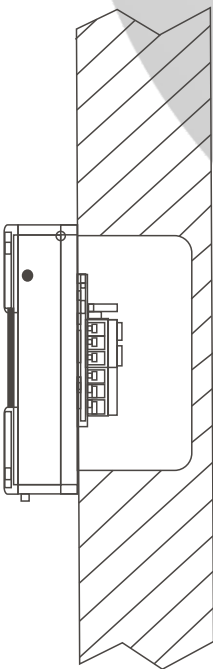


Insert the key into the key hole. Pull the key out when the flag turns green to complete the setting.

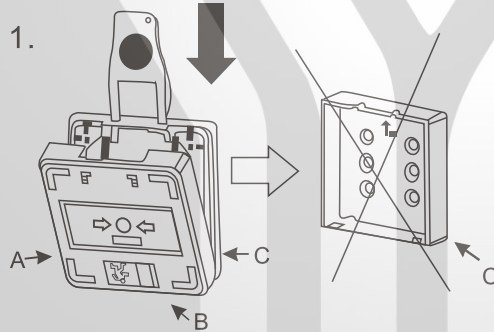
Embedded Installation

Installation steps

Lateral view



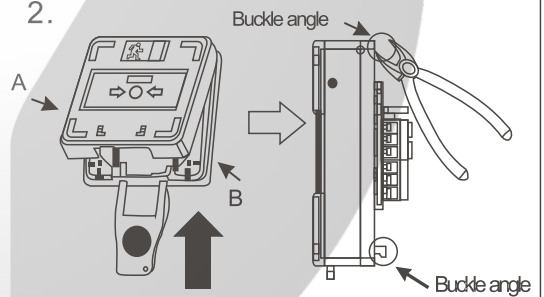
1.



Use key to disassemble B and C fastenings.

No bottom cover C needed for embedded installation.

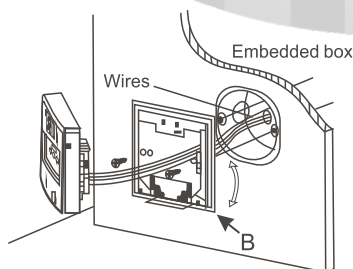
2.



Use key to disassemble A and B fastenings.

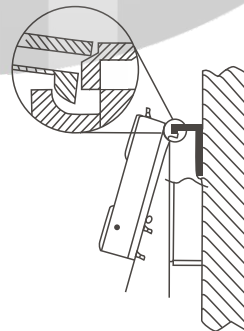
Clip the unnecessary buckle angles.

3.



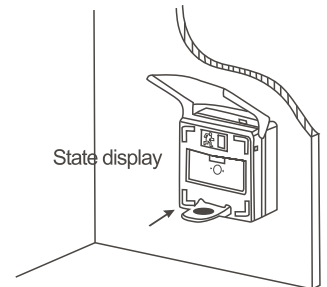
Fix middle cover B and connect the wires.

4.



Fastening the unit as the diagram shown above.

5.



Insert the key into the key hole. Pull the key out when the flag turns green to complete the setting.