

Wi-Fi Smart Breaker Manual

Before using the device

1. Your smart phone or tablet has connected to a 2.4GWi-Fi with internet.
2. You have the connect Wi-Fi PWD.
3. Your smart phone or tablet must have access to App store, Google play.
4. Your router is MAC-open

Specification:

Wireless type: Wi-Fi 2.4GHz 802.11b/g/n
 Rated voltage: AC100-240V
 Rated current: 10A
 Humidity: ≤80%
 Working Temp: -20℃~+50℃



How to use:

1. Download Smart Life or Tuya Smart APP, or scan the QR code to download and install it.
2. Register account by APP.
3. If you already have app account, just log in.
4. Power up.ON/OFF operating principle:

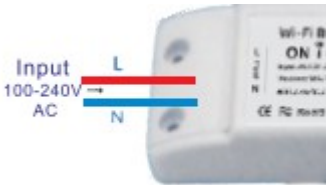


Smart Life APP



Tuya Smart APP

The connected appliances work/stop through live wire power on / off



① Appliance wiring instruction



③ One wire wiring instruction

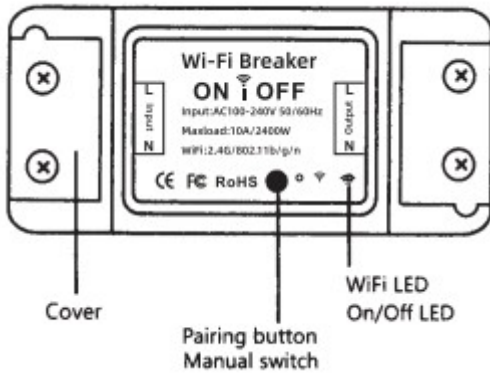


② Ceiling lamp wiring instruction.



※Note: the Wi-Fi switch must be powered up by N and L wires.

5. Press and hold the button for about 7 seconds until the Wi-Fi green LED blinks fast.



6. Enter the App, tap "+" in the upper right of the page to enter network connection page.

7. There are two network connection methods (normal mode and AP mode), normal mode is default, user could tap the upper right corner to switch the connection method to AP model.

8. Please make sure the device's indicator light rapidly flashes (2 times per second), tap to go on to the next step.

9. If indicator light is not rapidly flashing, tap "how to set indicator light as rapid flashes" to view operation processes.

10. Input your Wi-Fi password

11. Name your device

12. The device is on line.

Troubleshooting

Q: How to set indicator light as rapid flashing?

- Power on device, power off after 10s and then power on
- Hold the reset button for 5s
- Confirm indicator light is now rapidly flashing

Q: How to set indicator light as slow flashing?

- Power on device, power off after 10s and then power on
- Hold the reset button of 5s.
- Confirm indicator light is now rapidly flashing.
- Hold reset button for 5s until indicator light is slowly flashing

The new added device needs 1min to connect Wi-Fi and the internet if it stays offline for a long time, please judge the problem by Wi-Fi LED status.