

### **Garage door Switch Module User Manual WL4 GC-3**

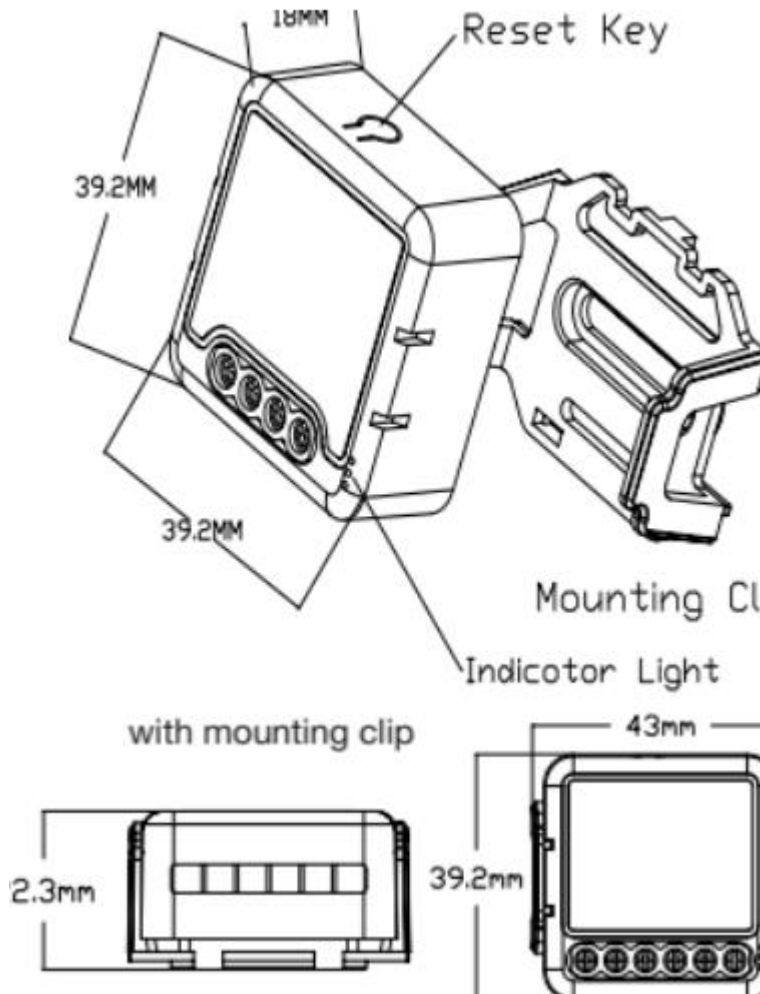
The Switch module terminal reserves the access of manual override function for the end-user to switch on/Off.

If you have connected the wall push-button, check its work. Single pressing of the "down" button / "up" button, will cause that the roller shutters moves in the desired direction to the end position. If the electric shutter goes in the opposite direction to the expected, select "motor reversal" in the "More" option. When the electric shutter is moving up, press "up" button switches causes that the shutter will stop immediately; when the electric shutter is moving down, pressing "down" button switches causes that the shutter will stop immediately.

#### **Notes:**

- 1) Both the adjustment on App and switch can overwrite each other, the last adjustment remains in memory .
- 2) The App control is synchronized with the manual switch.

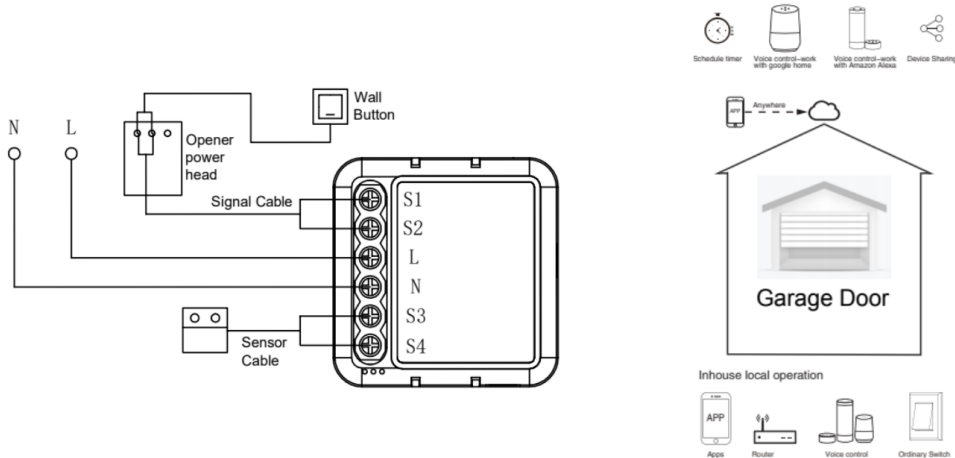
Voltage	AC100-240V 50/60Hz
Operation frequency	2.412GHz-2.484GHz
Protocol	WIFI IEEE 802.11b/g/n
Operation range	<100m
IP rating	IP20
Operation temp.	-10°C + 40°C
Dims (WxDxH)	39.2x39.2x18 mm



**Wiring Instructions and Diagrams**

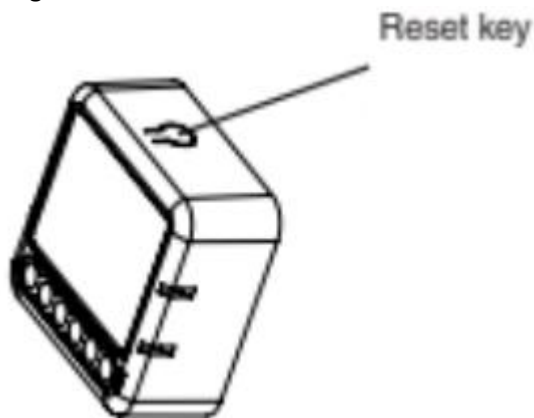
1. Turn off the power supply before carrying out any electrical installation work.
2. Connect wires according to the wiring diagram.
3. Turn on the power supply and follow switch module configuration instructions.

*Notes: Take your smartphone close to the switch sure you have min. 50% Wi-Fi signal.*



### Tuya Application User Manual

1. Search the keyword "Tuya Smart" at App IOS APP / Android APP Store or Googleplay to download the Application
2. Log in or register your account with your mobile number or e-mail address, type in the verification code sent to your mobile phone or mail box, then set your logo password, Click "Create Family" to enter into the APP.
3. After the wiring of switch module is done, press the reset key for about 10 seconds or turn on/off the traditional switch for 5 times until the indicator light inside the module is flashing quickly for pairing.



4.
  - ① Support multi-protocol matching : WIFI/Bluetooth.
  - ② Turn on Bluetooth, Click "+", follow the on-screen instruction for pairing.
5. The connecting will take about 10-120 seconds to complete depending on your network condition.
6. Finally, you can control the device via your mobile phone.
7. Connect to amazon alexa or Google Assistant for voice control, or share the devices with your families or friends.
8. Enjoy your smart life of home automation for control by using our All-in-one mobile app wherever you are in the world or simply by voice control when you are sitting at home comfortably.

