

## Dimension:

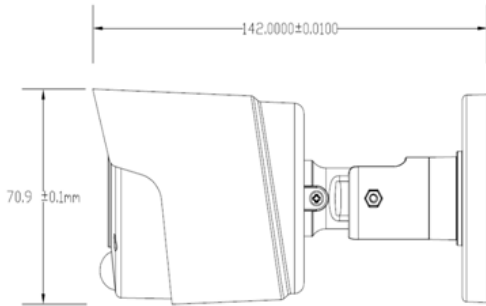


Photo 1.1

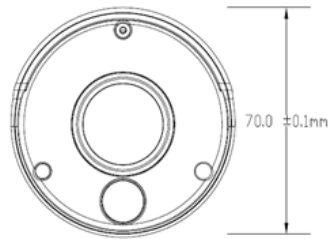


Photo 1.2

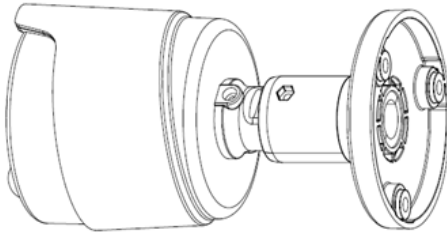


Photo 1.3

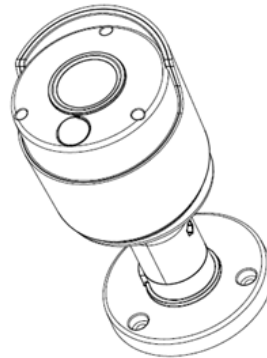


Photo 1.4

## Description:

Dummy camera without power supply.

## Bracket Installation:

1. Drill three holes on the wall as shown in the below photo(2.1). Then insert the rubber plug, align the holes in the bracket with the rubber plug, and lock it.
2. You can rotate the bracket to adjust lens direction by loosen the screws (Photo 2.2)



Photo 2.1

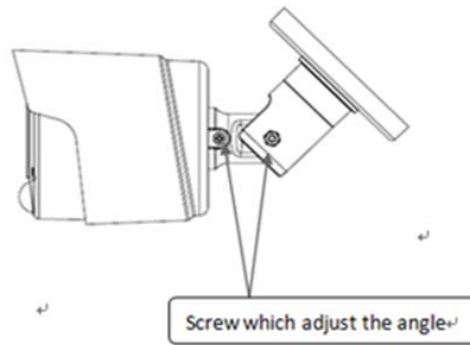


Photo 2.2