



YLI ELECTRONIC

Infrared presence detector

Model: YAD-123DT



1 Security Guide

! Thanks so much for your purchasing, please read this instruction before reading.

2 Product Overview

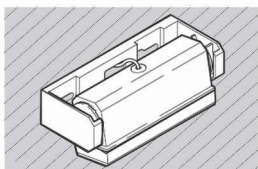


Note: The LED indicating lamp/ is with blue light at normal condition. And turns red light when has detected the existing objects.

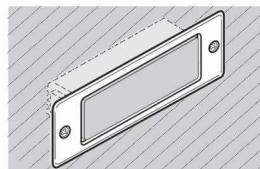
3 Installation mode

! Notes: Maximum installation height should not over 2... mm

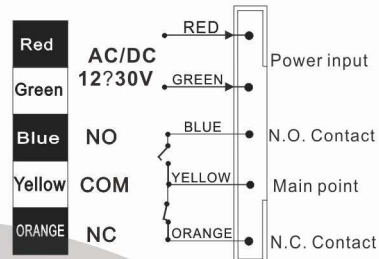
Rotating bracket with gear (exposure installation)



Be used for hidden installation



4 The wiring of input and output



5 Operating principle

This system is based on the principle of operation triangle infrared existing detecting. The crosspoint of emission ray and receive ray is the max detection scope.

In order to adapt the background of detector, the working system is combined with the background rejection mode. Relevant back ground will be detected but be ignored. In the detection process, only the reflection of detection area will be received. (Background rejection of humidity, ground will not be received.)

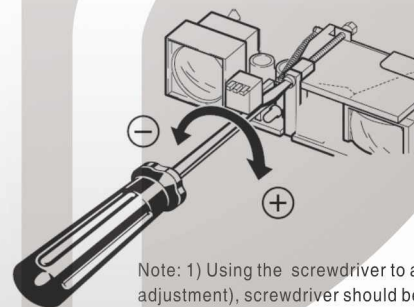
Background rejection technique:

- protection for the moving objects.
- No affection of the background factors.

6 Detection Height Adjustment

Detection height adjustment is easy.

1. Installed the infrared presence detector..
2. Adjust the detection of infrared ray to the ground position and get energized
3. Adjust the maximum detection height by the screw (height adjustment as below) clockwise. LED indicator turns red. The detection height has reached the ground.
4. Adjust the screw(height adjustment as below) counterclockwise. LED indicator turns blue. The back ground has been rejected.
5. In order to ensure the reliability of background rejection, fine-tuning the screw counterclockwise. Till the detection object is 200mm far from the ground.
6. Infrared presence detector works effectively.



Note: 1) Using the screwdriver to adjust the screw(Detection height adjustment), screwdriver should be bias to avoid blocking out the infrared ray.

2) Fine-tuning for avoiding the over detection height adjusted.

7 Detection Area adjustment

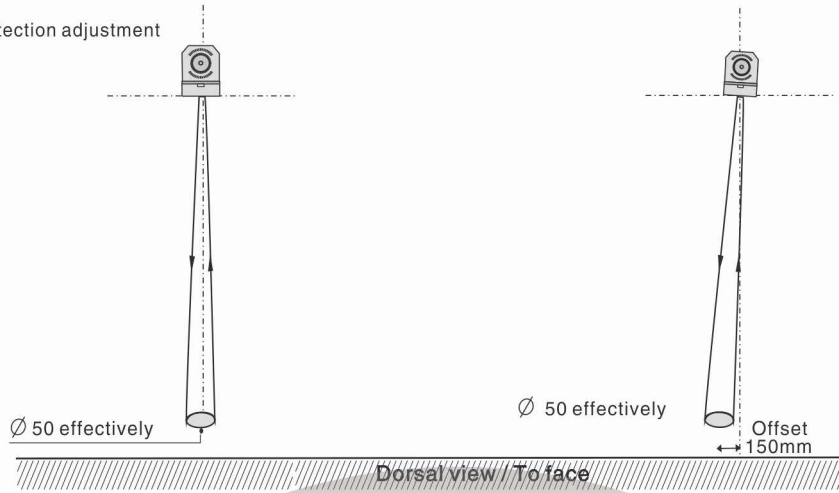
This product is with the function of detecting the lateral area by fine-tuning the main body of Infrared presence detector.

Operation way: 1. Loose the screw 2. Rotate the main body of Infrared presence detector to the right position. 3. Fix the screws.



Lose the screw, adjust the position, fix the screw. Position adjusted by hands

Lateral area detection adjustment



8 Common Fault

Sensor does not work. No instruction from indicator	Check working voltage and input/output connection (see article 4)
Sensor does not work when people need to enter.	Installation height should not over 3000mm, adjust the detection height screw in clockwise direction.
Action keeps output when no one enter.	Background has been detected, adjust the detection height screw in counter-clockwise direction.
Action from fixed point even no need for working	Mental frame, outthrust under vertical direction, adjust the detection area by the adjust he main sensor body
Action switch points can not be found.	Adjust the detection adjust screw to found out the switch point.

9 Technical data

Data type	Specific parameters	Note that
Vertical scan adjusted range	800?2500mm	Unscrew adjustment with machinery
After scanning the range	Can offset 150mm	
Black/white difference	<400mm	When 2000mm height measurement
Effective induction area	∅ 50mm	When 2000mm height measurement
Divergence Angle	About 140 degrees	
Maximum height of installation	3000mm	
Light type	Pulse, intermittent IRED	
Working voltage	AC/DC 12?36V	1A 12VDC
Residual corrugated	Maximum 10%	
Static Current	28MA	Action Current 70MA
Mode of operation	Background	
Signal output	Signal output relay contacts are drugs. Com j j NC. Three	
Functions that	Standby for green, red movement induction	
Protection grade	IP 52	Take protective cover fittings IP 65
Housing materials and colors	ABS black/lake mulberry	The front cover with stents/optical window
The size	Only sensor: 1024632mm	Length×width×height
	Including stents: 1234550mm	Including packing and the relevant supporting bracket
Operating temperature range	-20°C ~ +60°C	
Humidity	0-90% of relative humidity	
Weight	About 238 grams	
EMC compatibility	Anti-interference: EN 61000-6-1, 6-2 EN 61000 -2	
	Launch 61000 - interference with: EN, 6-3, EN 61000-6-4	With instructionsEMC 89/336EEC