

Access Control Switch Power Supply

Product Instruction

V2.0

Please read the instruction carefully before installing and take care of the manual!

Application

The power supply is applied to access control devices and building intercom device and also for CCTV cameras. Especially suitable for different kinds of electric lock.

Through the standalone access controller control output or other switch signal to control electric lock. So that can decrease electric lock induced reverse current to interfere access controller, and increase safety and stability. It can be connected to different normal open or normal close electric locks.

Built-in time delay circuit that can set unlock time, set exit button input that can control unlock electric lock. Set CONTROL that can input 12V electrical signal to control open and close of electric lock. Built-in protective circuit, when external circuit occurs short circuit or overheating, it will automatically disconnect voltage output. After 3 minutes of troubleshooting, it can normally work when power on. With output voltage protection function, does not cause damage to other devices.

Technology Parameters

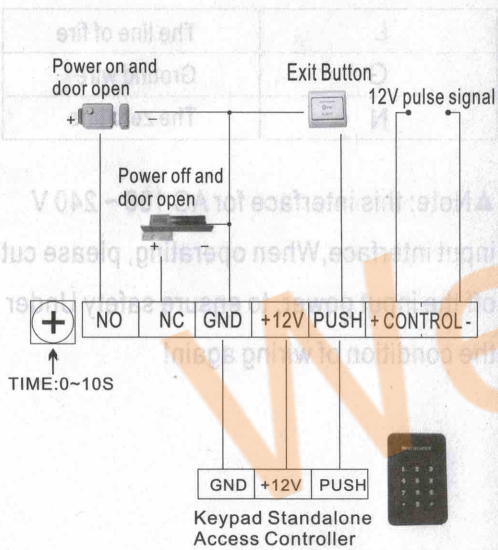
NAME	Access Control Switch Power Supply(Built-in lithium battery)	Access Control Switch Power Supply(External lithium battery)
AC Input Voltage:	AC 100~240V 50Hz/60Hz	AC 100~240V 50Hz/60Hz
Output Voltage:	DC13.5V	DC13.5V
Momentary Current:	5A	5A
Persistent Current:	3.5A	3.5A
Operating Temperature:	-20℃~60℃	-20℃~60℃
Operating Humidity:	≤90%RH	≤90%RH
Time:	0~15S	0~15S
Size:	194*95*44mm	135*95*38mm
Battery:	with battery switch, and built-in 12V/7Ah lithium battery	without battery switch, external lithium battery

The input interface

L	The line of fire
G	Ground wire
N	The zero line

▲Note: this interface for AC 100 ~ 240 V input interface, When operating, please cut off the input power, to ensure safety Under the condition of wiring again!

Wiring Diagram



NO and GND terminal: normal without output, after trigger, NO is the anode, output voltage is DC13.5V(0-15s).

NC and GND terminal: normal without output, after trigger, NC is the anode, output voltage is DC13.5V(0-15s).

PUSH and GND terminal: exit button input terminal, can control the lock to lock or unlock.

+12V and GND terminal: provide DC13.5V voltage to equipment.

CONTROL electric input terminal: input DC13.5V electric signal control. (input electric signal, anode connect CONTROL+, cathode connect CONTROL-)

▲ NOTE: Please adjust the delay time of open door to minimum when connect electro-mechanical lock.

PUSH and GND is switch control input, forbid to connect electric signal to PUSH and GND.

Common fault and solution

Description	Analysis	Solution
	① no AC voltage input	Plug in AC 100V~240V power
Without voltage output	② external device short circuit	Cut off all external devices, after 3 minutes to measure output voltage
	③ the power supply is damaged	Contact supplier to repair
	wrong wiring	Please refer to wiring diagram, and connect again
Lock does not lock	power supply connect lock without voltage output	Refer to the above fault to check the problem
	the exit button line was wrong connected or short circuit	Remove the exit button wiring and observe the lock status
	if use electric lock, please check the lock plate	Match the lock with lock-plate, then the lock will lock

Certificate of Approval

Product name: Access Control Switch Power Supply

Quality inspector: 05

Date of manufacture:

Warranty Card

Sincerely thank you for buying our products, as the user, you will get the following guarantee:

- 1 Free warranty service for one year.
- 2 Cost maintenance service for three years.
- 3 Free technical support service.

The above service shall become effective from the date of product purchasing. When in need of repair, you should show the product of bill and this warranty card to the dealer, or will not be dealt with. The product itself caused quality problems are in guarantee within the scope of service; the other factors are not within the scope of free warranty service, like improper using or other environmental factors. The free warranty service is only for the product itself, the other maintenance expenses all by users themselves.